



PAR20 | LED BULB

Direct Replacement For
Par20 + R20 Halogen/Incandescent Bulbs



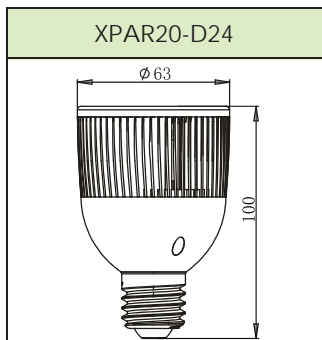
MODEL XPAR20-D24 | LED BULB

Direct Replacement For Par20 + R20 Halogen/Incandescent Bulbs

up to
85% ENERGY SAVINGS

Power Usage Replaces Halogen	7 Watts 50 Watt Bulb
Base	E26 / E27
Voltage	110 / 230 Volts
Operating Life	40,000 Hours
Beam Angle	24°
Color Temperature	Warm White (3000° K)
CRI	> 82
Luminous Flux	476 Lumens

Dimmable
Power Factor > 0.95



- Solid State Light Source
- Eco-friendly Design—free of hazardous metals and chemicals
- Contains No Filaments
- Cooler Operation Reduces Air Conditioning Usage
- No Flicker or Strobing
- No Warm-up Time
- Seamless Design Integration of LED and power supply ensures long maintenance free operating life



CONFORMS TO UL STD. 1993
CERTIFIED TO CSA STD. C22. 2 NO. 1993