


## MR16 | LED BULB

Direct Replacement for MR16  
12 Volt Halogen Bulb

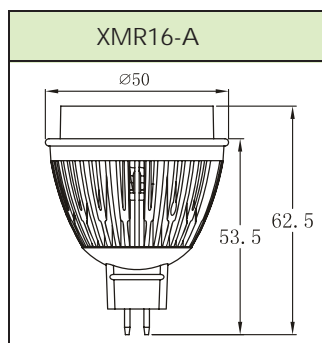


## MODEL XMR16-A | LED BULB

Direct Replacement for MR16  
12 Volt Halogen Bulb

Power Usage Replaces Halogen	5 Watts 20 Watt Bulb
	
Base	GU5.3
Voltage	110 / 230 Volts
Operating Life	40,000 Hours
Beam Angle	24°
Color Temperature	Warm White (3000° K)
CRI	> 80
Luminous Flux	240 Lumens

Dimmable  
Power Factor > 0.95



up to  
**75%** ENERGY  
SAVINGS

- Solid State Light Source
- Eco-friendly Design—free of hazardous metals and chemicals
- Contains No Filaments
- Cooler Operation Reduces Air Conditioning Usage
- No Flicker or Strobging
- No Warm-up Time
- Seamless Design Integration of LED and power supply ensures long maintenance free operating life



CONFORMS TO UL STD. 1993  
CERTIFIED TO CSA STD. C22. 2 NO. 1993