

Type _____
 Project _____
 Catalog No. _____
 Lamp/Wattage _____

NATL-5100HW
24 Volt, 100 Watt Class II
Hardwire Electronic Driver

PRODUCT DESCRIPTION

24 Volt enclosed driver to be used with Nora Lighting's 24 Volt systems requiring a Class II driver.

FEATURES

- Type 3R Rainproof Enclosure
- Non-dimmable
- Conduit Access Wiring Compartment
- Meets Class II output limits
- 24 Volt DC Rated output
- Includes NALTL-10, 24V 10' Power Line Connector
- cULus Listed Enclosure & cULus Recognized Driver

ELECTRICAL

Input: 100V-240V

Output: 24VDC

Wattage: 100W

OPTIONAL ACCESSORIES

NALTL-10: 24V 10' Power Line Connector (included)

NALTL-30: 24V 30' Power Line Connector

Labels and Listings

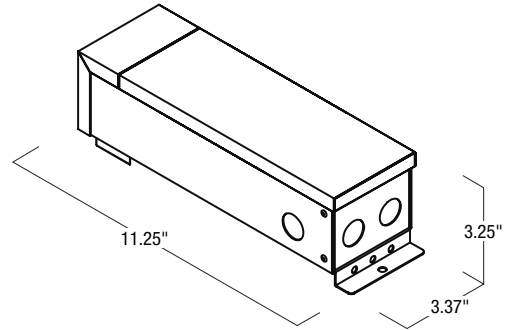
cULus Listed Enclosure

Type 3R Rainproof Enclosure

cULus Recognized Driver



DIMENSIONS



Width: 3.37"
 Length: 11.25"
 Height: 3.25"

24V 100W Class II Hardwire Electronic Driver

NATL-5100HW: 24V 100W Class II Hardwire Electronic Driver

Optional Accessories

NAPK-10: 12V 10' Power Line Connector (included with each driver)

NAPK-30: 12V 30' Power Line Connector