

Type \_\_\_\_\_  
 Project \_\_\_\_\_  
 Catalog No. \_\_\_\_\_  
 Lamp/Wattage \_\_\_\_\_

**NMT-48/24C2D1 / NMT-48/24C2D2**  
**24 Volt, 48 Watt Class II**  
**Dimmable Hardwire Magnetic Driver**

**PRODUCT DESCRIPTION**

24 Volt enclosed driver to be used with Nora Lighting's 24 Volt systems requiring a Class II driver. Produce 48 watts and can be dimmed with low voltage magnetic dimmer. Includes a regulator to provide constant current and constant voltage.

**FEATURES**

- Fully dimmable, with low voltage magnetic dimmer
- Integral regulator for constant current and voltage
- Manual Reset Overload Protection for each Class II Circuit
- Indoor/Outdoor Enclosure Type 3R Enclosure
- Conduit Access Wiring Compartment
- Made in USA
- Meets Class II output limits
- 24 Volt DC Rated output
- Includes NALTL-10, 24V 10' Power Line Connector
- cULus Listed & CSA Approved
- Available in 120V or 277V

**ELECTRICAL**

**Input:** 120VAC or 277VAC, 50/60Hz

**Output:** 24VDC, 2A (Max.)

**Wattage:** 48W

**OPTIONAL ACCESSORIES**

**NALTL-10:** 24V 10' Power Line Connector (included with NMT-48/24C2D1 & NMT-48/24C2D2)

**NALTL-30:** 24V 30' Power Line Connector

**Labels and Listings**

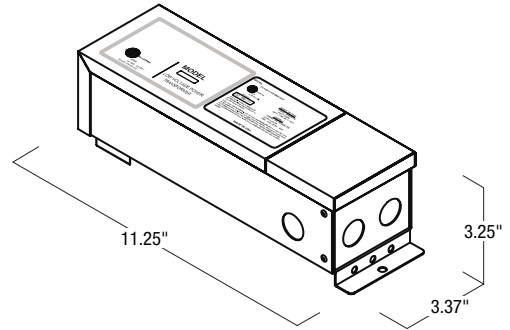
Three Year Limited Warranty

cULus Listed

CSA Approved



**DIMENSIONS**



Width: 3.37"  
 Length: 11.25"  
 Height: 3.25"

**24V 48W Class II Dimmable Hardwire Magnetic Driver**

**NMT-48/24C2D1:** 120V/24V 48W Class II Dimmable Hardwire Magnetic Driver

**NMT-48/24C2D2:** 277V/24V 48W Class II Dimmable Hardwire Magnetic Driver

**Optional Accessories**

**NALTL-10:** 24V 10' Power Line Connector (included with each driver)

**NALTL-30:** 24V 30' Power Line Connector