

Type
Project
Catalog No.
Lamp/Wattage

NMT-96/24C2D1 / NMT-96/24C2D1
24 Volt, 96 Watt Class II
Dimmable Hardwire Magnetic Driver

PRODUCT DESCRIPTION

24 Volt enclosed driver to be used with Nora Lighting's 24 Volt systems requiring a Class II driver. Produce 96 watts and can be dimmed with low voltage magnetic dimmer. Includes a regulator to provide constant current and constant voltage.

FEATURES

- Fully dimmable, with low voltage magnetic dimmer
- Integral regulator for constant current and voltage
- Manual Reset Overload Protection for each Class II Circuit
- Indoor/Outdoor Enclosure Type 3R Enclosure
- Conduit Access Wiring Compartment
- Made in USA
- Meets Class II output limits
- 24 Volt DC Rated output
- Includes NALTL-10, 24V 10' Power Line Connector
- cULus Listed & CSA Approved
- Available in 120V or 277V

ELECTRICAL

Input: 120VAC or 277VAC, 50/60Hz

Output: 24VDC, 4A (Max.)

Wattage: 96W

OPTIONAL ACCESSORIES

NALTL-10: 24V 10' Power Line Connector (included with NMT-96/24C2D1 & NMT-96/24C2D2)

NALTL-30: 24V 30' Power Line Connector

Labels and Listings

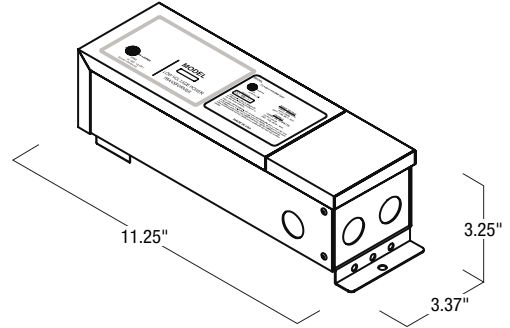
Three Year Limited Warranty

cULus Listed

CSA Approved



DIMENSIONS



Width: 3.37"
 Length: 11.25"
 Height: 3.25"

24V 96W Class II Dimmable Hardwire Magnetic Driver

NMT-96/24C2D1: 120V/24V 96W Class II Dimmable Hardwire Magnetic Driver

NMT-96/24C2D2: 277V/24V 96W Class II Dimmable Hardwire Magnetic Driver

Optional Accessories

NALTL-10: 24V 10' Power Line Connector (included with each driver)

NALTL-30: 24V 30' Power Line Connector