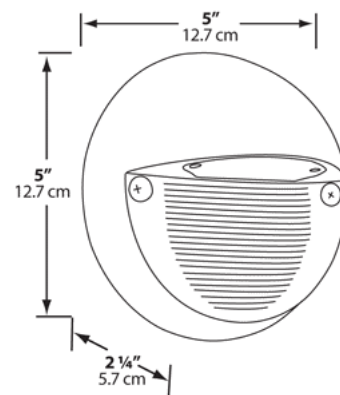


SLEDR5Y

Round LED Step Lights Equivalent to 13 watt CFL or 40 watt incandescent. Applications for steps, decks, landscape and entries. Meets ADA requirements. 5 Year warranty.

Color: Bronze

Weight: 1.2 lbs



LED Info

Watts: 5W
 Color Temp: 3000K (Warm)
 Color Accuracy: 87
 L70 Lifespan: 100000
 LM79 Lumens: 133
 Efficacy: 25 LPW

Driver Info

Type: Constant Current
 120V: 0.1 A
 208V: 0.06 A
 240V: 0.05 A
 277V: N/A
 Input Watts: 5W
 Efficiency: 94%

Technical Specifications

UL Listing:

Suitable for wet locations. Suitable for mounting within 4ft. of the ground.

Lumen Maintenance:

The LED will deliver 70% of its initial lumens at 100,000 hours of operation.

Voltage:

100V - 240V

Finish:

Chip and fade resistant polyester powder coat finish.

Driver:

4W high output long life LED. Driver Constant Current, Class 2, 50-60 Hz, 100-240 VAC 0.18 amps.

Thermal Management:

Integral cast aluminum mounting pad for optimum heat sinking to ensure cool operation with maximum LED life and light output.

Cold Weather Starting:

The minimum starting temperature is -40°F/-40°C

Green Technology:

Mercury, Arsenic and UV free.

Housing:

Precision die cast aluminum housing and mounting plate (junction box not included)

Surge Protection:

1000 Volts

IESNA LM-79 & IESNA LM-80 Testing:

RAB LED luminaires have been tested by an independent laboratory in accordance with IESNA LM-79 and 80, and have received the Department of Energy "Lighting Facts" label.

Gasket:

High temperature silicone

Color Temperature (Nominal CCT):

3000K

Color Accuracy:

87 CRI

Equivalency:

The SLEDR5 is Equivalent in delivered lumens to a 13W CFL or 60W incandescent step light.

HID Replacement Range:

The SLEDR5 can be used to replace 13-26W CFL or 13-60W incandescent step lights based on delivered lumens.

Patents:

The design of the SLED Lights are protected by U.S. Patents 612,974, 612,975 and patents pending in Canada and China.

Country of Origin:

Designed by RAB in New Jersey and assembled in Taiwan

Trade Agreements Act Compliant:

This product is a product of Taiwan and a "designated country" end product that complies with the Trade Agreements Act.

SLEDR5Y - continued

GSA Schedule:

Suitable in accordance with FAR Subpart 25.4

For use on LEED Buildings:

IDA Dark Sky Approval means that this fixture can be used to achieve LEED Credits for Light Pollution Reduction

Dark Sky Approved:

The International Dark Sky Association has approved this product as a full cutoff, fully shielded luminaire.

