

ULTRA LED BR30 and BR40 Lamp



Key Features & Benefits

- Dimmable down to 10%*
- Available in 2500K and 2700K color temperature
- Long life up to 25,000 hours (L₇₀)
- UV and IR free
- Mercury and lead free
- RoHS compliant

* Performance may vary depending on dimmer used in application. Please refer to Dimmer Compatibility List (RETRO-DIM) for a list of compatible dimmers or visit www.SYLVANIA.com/LEDretrofit



Rated up to 25,000 hours at 70% lumen maintenance, the SYLVANIA ULTRA LED bulbous reflector lamp offer years of service and reduce energy and maintenance costs. SYLVANIA LED lamps are environmentally preferred products. They are RoHS compliant, contain no mercury, lead or other hazardous materials. They emit no UV or IR radiation that can cause fading and discoloration of fabric or artwork. The 80-82 CRI ensures greater color definition and can be used in many applications, both homes and businesses. These lamps are offered in two color temperatures 2500K and 2700K. These warmer colors create a warm welcoming atmosphere perfect for hospitality applications.

Product Offering

Ordering Abbreviation	Wattage	Color Temperature
LED12BR30/DIM/827	12	2700K
LED16BR40/DIM/825	16	2500K
LED18BR40/DIM/827	18	2700K

Application Information

Applications

- General lighting
- Recessed downlights
- Track lighting
- Wall washers

Market Segments

- Art galleries
- Hospitality
- Museums
- Offices
- Residential
- Restaurants
- Retail

Application Notes

1. Operating temperature -4°F to +104°F (-20°C to +40°C)
2. Use in fixtures that support a half pound lamp
3. Not for use with emergency light fixtures or exit lights
4. Use in open fixture
5. Suitable for outdoor use in UL rated fixtures where protected from the weather

This device complies with part 15 of the FCC Rules. Operation is subject to the following two conditions: (1) This device may not cause harmful interference, and (2) this device must accept any interference received, including interference that may cause undesired operation. For FCC Part 15 user information, please see www.sylvania.com/fcc15b



Specification Data

Catalog #	Type
Project	
Comments	
Prepared by	

Ordering Information

Item Number	Ordering Abbreviation	Wattage (W)	Base Type	Replaces	Input Voltage (V)	Average Rated Life (hrs.) ¹	CCT ³	Typical Lumens (lm) ²	CRI ⁴	Power Factor	ENERGY STAR [®]
78014	LED12BR30/DIM/HO/827	12	Medium	65WBR30	120	25,000	2700K	850	82	.79	Yes
78627	LED16BR40/DIM/825	16	Medium	100WBR40	120	25,000	2500K	1,000	80	.73	No
78810	LED18BR40/DIM/827	18	Medium	65WBR40	120	25,000	2700K	930	80	.79	No

OSRAM SYLVANIA submits most lamps for ENERGY STAR testing. Early qualification for ENERGY STAR lamps begin at 25,000 hours (L₇₀) regardless that the design of the lamp is manufactured for a greater life expectancy. As the lamps pass ENERGY STAR qualifications, manufacturers are able to increase rated life as dictated by ENERGY STAR guidelines becoming either provisionally qualified or fully qualified. Please visit ENERGYSTAR.gov for more information about testing requirements for ENERGY STAR qualified products.

1. Hours lifetime with 70% lumen maintenance 2. Thermally stable typical lumens (±10%)
 3. Thermally stable typical CCT (±10%) 4. CRI – Color Rendering Index

Ordering Guide

LED	12	BR30	/	DIM	/	8	27
LED Lamps and Retrofits	Wattage: 12	Lamp Type: BR30 BR40		Dimmable		CRI=80	Color Temperature 2700K

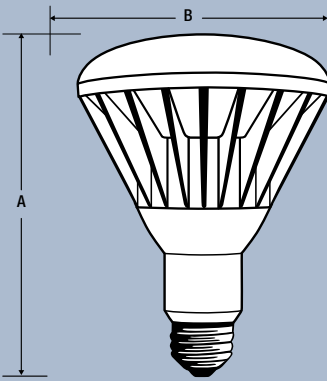
Energy Savings

Basic Product Description	LED Life (hrs.)	Similar Incandescent	Incandescent Life (hrs.)	Incandescent Lumens	Watts Saved	Energy Savings*	LED Life vs. Incandescent
LED12BR30	25,000	65BR30	2,000	700	53	\$145.75	12x
LED16BR40	25,000	100BR40	2,000	935	84	\$231.00	12x
LED18BR40	25,000	65BR40	2,000	700	47	\$129.25	12x

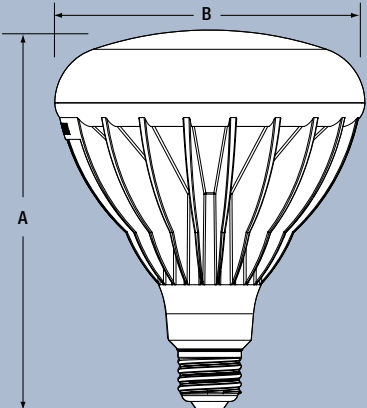
*Energy savings over life of lamp calculated at \$0.11/kWh

Lamp Dimensions

	(A) MOL (inches)	(B) Diameter (inches)
LED12BR30	5.3	3.7
LED16BR40	6.3	4.8
LED18BR40	6.2	5.0



12BR30



16BR40 and 18BR40

United States

OSRAM SYLVANIA

100 Endicott Street
Danvers, MA 01923
1-800-LIGHTBULB

Trade

Phone: 800-255-5042
Fax: 800-255-5043

National Accounts

Phone: 800-562-4671
Fax: 800-562-4674

OEM/Special Markets

Phone: 800-762-7191
Fax: 800-762-7192

Retail

Phone: 800-842-7010
Fax: 800-842-7011

SYLVANIA Lighting Services

Phone: 800-323-0572
Fax: 800-537-0784

Display/Optic

Phone: 888-677-2627
Fax: 855-543-1043

Canada

OSRAM SYLVANIA LTD.

2001 Drew Road
Mississauga, ON L5S 1S4
1-800-LIGHTBULB

Trade

Phone: 800-263-2852
Fax: 800-667-6772

OEM/Special Markets/Display/Optic

Phone: 800-265-2852
Fax: 800-667-6772

Retail

Phone: 800-720-2852
Fax: 800-667-6772

SYLVANIA Lighting Services

Phone: 800-663-4268
Fax: 866-239-1278

Mexico

OSRAM MEXICO

Tultitlan/Edo de Mexico
Phone: 011-52-55-58-99-18-50

ENCELIUM® Products

United States

Phone: 201-508-1570
Fax: 201-508-1589

Canada

Phone: 905-731-7678
Fax: 905-731-1401

www.sylvania.com

